

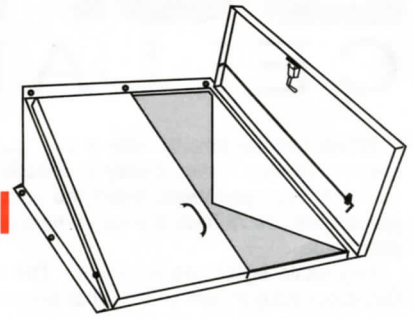
GORDON CELLADORS®

Gordon makes the job of replacing worn or damaged cellar doors fast, easy and economical. Gordon CellaDoors add value, beauty and security to your home. Using the instructions below, measure and select your new door. Gordon ships clear, detailed instructions with every door, and takes the aggravation out of do-it-yourself door replacement.

Two basic styles are available: The CellaDoor (CD) shown here and Replacement Door (RD) shown on the other side of this page. The CD is also the correct model for new home construction.

Replace your basement door easily and economically

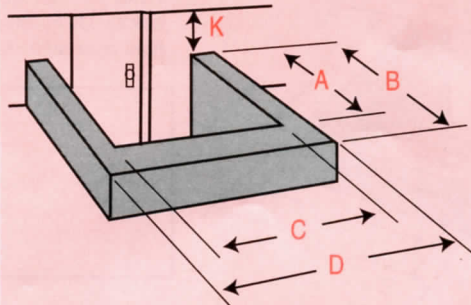
CD Model



STEP ONE

measure the foundation. The CD model has sides that are attached to your existing foundation.

- Measure the width "C" and "D" which are the **inside (C)** and the **outside (D)** dimensions of the sides.
- Next, measure length A and B from the building to the inside (A) and the outside (B) of the basement wall.
- Finally, measure "K" which is the distance from the top of the foundation to the top of the basement door opening.



Write the five dimensions A, B; C, D; and K in the space below. Using the chart, choose the right door size. (Note: Be sure that the model selected has a height greater than "K".)

A = C = K =
B = D =

STEP TWO

choose the right door size. This chart will help you select the right CellaDoor. The new door will be positioned on the areaway sidewalls. (Extensions are available for the CD-3 model only.)

A & B

Select length at least 2 inches longer than "A" and no longer than "B".

C & D

Select width at least 4 inches wider than "C" and 2 inches narrower than "D".

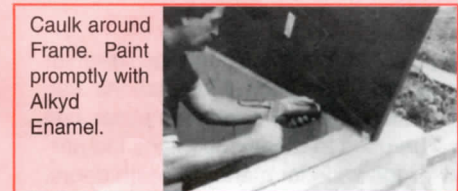
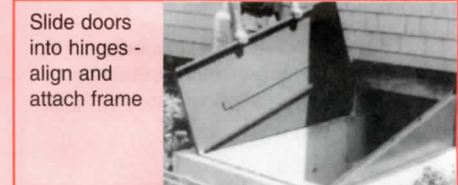
K

Be sure the height of the new model is greater than "K".

MODEL	OUTSIDE FRAME DIMENSIONS					CD-3 WITH CX EXTENSIONS				
	CD-SL	CD-0	CD-1	CD-2	CD-3	CX-6"	CX-12"	CX-18"	CX-24"	CX-30"
LENGTH	42½"	54"	57"	63"	71"	77"	83"	89"	95"	101"
WIDTH	49"	45"	45"	49"	53"	53"	53"	53"	53"	53"
HEIGHT	51"	30"	24½"	22"	19½"	21"	22½"	24"	25½"	27"

STEP THREE

these photos show a sample installation. Complete, easy-to-follow instructions are shipped with each door. For rough or irregular foundations, foundation plates (shown on the other side) are available, in different sizes, to modify openings too wide or too narrow for the standard size door.



Complete your basement with the

GORDON STAIR STRINGER

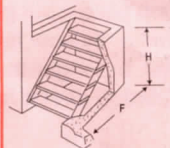
Gordon now makes it easy and economical to add stairs to your new or existing bulkhead. Along with the Gordon Steel Basement Door, the Gordon Stair Stringers eliminate the need for expensive and complicated step construction. Made of 14 gauge galvanized steel and prepunched for easy tread installation.

1. First measure the "H" dimension, then the "F" dimension. If new areaway, build to specifications on chart for model desired.
2. Second, select the right size Gordon Stair Stringer.

AREAWAY DIMENSIONS

Selected Stringer	'H'	'F' at least	Length of stringer	Number of steps	Use basement Door Model
ST-1	4'0" to 4'7"	4'3"	69"	6	CD-1
ST-2	4'8" to 5'4"	4'11"	80"	7	CD-2
ST-3	5'5" to 6'0"	5'8"	92"	8	CD-3

* For 9-12 steps - use 2 sets of ST-1 stringers and overlap them



Your authorized Gordon dealer is:

**GORDON
CELLADORS®**

If you have any questions on where to find or how to install Gordon Doors, call the GORDON HOTLINE: (860) 628-0000 FAX (860) 621-1251 Website: <http://www.gordoncelladdoor.com>

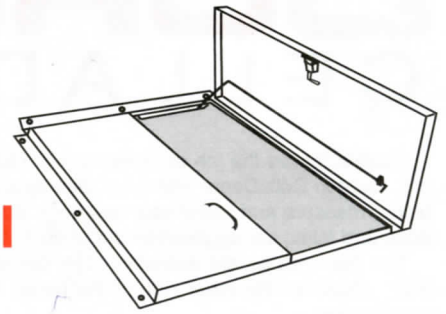
GORDON CELLADORS®

Replace your basement door easily and economically

When it comes time to replace your worn or damaged basement door, Gordon has the answer. Gordon makes it easy to choose and install the right steel door. Simply find the measurements you need, select the right door size and follow Gordon's clear, complete instructions. You'll have a weather-tight entrance that adds value, beauty and security to your home.

Two basic styles are available: The Replacement Door (RD) shown here and the CellaDoor (CD) shown on the other side of this page.

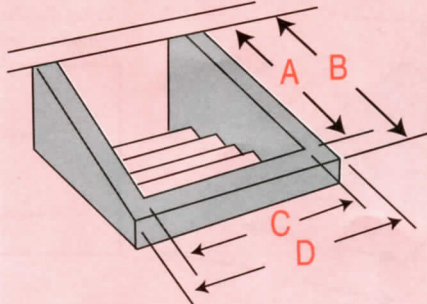
**RD
Model**



STEP ONE, measure the foundation.

The RD model installs on your existing sloping sidewalls.

- Measure the width "C" and "D" which are the **inside (C)** and **outside (D)** dimensions of the foundation width.
- Next measure the length "A" and "B" along the slope from the building, to the inside (A) and outside (B) of the base-wall. **(Note; To insure accuracy, measure the foundation and not the existing door.)**



Write the four door measurements, A, B, and C, D, in space below. Using these measurements and the chart, choose the right door size. Not sure?? Ask your Gordon dealer for Help.

A = C =
B = D =

C & D. Select width at least 4 inches wider than "C" and at least 2 inches narrower than "D".

A & B. Select length at least 2 inches longer than "A" and within 2 inches of "B". (Use extension headers to find doors longer than standard lengths.)

STEP TWO, choose the right door size.

This chart will help you select the correct replacement door. Remember, that the new door will be positioned on the sidewalls of your foundation. Extension "headers" are available for doors longer than the standard sizes shown in the first section of the chart.

STEP THREE, the photos below the

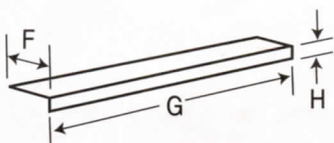
sizing chart show a sample installation. Complete, easy-to-follow instructions are packed with each door.

MODEL	WIDTH	LENGTH	WITH 6" EXTENSION	WITH 12" EXTENSION	WITH 18" EXTENSION	IF LONGER LENGTHS ARE REQUIRED, ORDER FLAT STEEL FROM THE PLANT
RD-0	44 1/2"	48"	53" - 55"	59" - 61"	NA	
RD-1	44 1/2"	62"	67" - 69"	73" - 75"	NA	
RD-2	48 1/2"	66 1/2"	71" - 73"	77" - 79"	NA	
RD-3	52 1/2"	73 1/2"	78" - 80"	84" - 86"	90" - 92"	
OUTSIDE FRAME DIMENSIONS			EXTENSION HEADERS ARE NOT INCLUDED IN DOORS — ORDER SEPARATELY			

FOUNDATION PLATES

To install doors on rough or irregular stone, block or masonry foundations, use foundation plates. Foundation plates can also be used to modify openings too narrow or too wide for standard width doors.

The chart lists only four sizes of foundation plates, but plates are available in any width, by special order. (3x3, 3x4, 3x25, etc. or longer than 84 inches.) Ask your Gordon dealer for help.



Remove Old Door.



Prepare foundation. Smooth surface with mortar or Foundation Plates. (optional)



Place assembled Frame on Foundation. Square & attach.

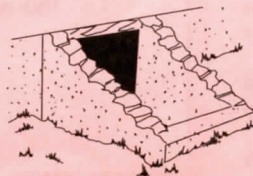


Caulk around Frame. Paint promptly with Alkyd Enamel.

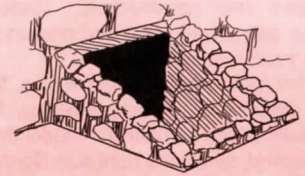


H	F	G	Price
3"	5"	7'	
3"	8"	7'	
3"	11"	7'	
3"	14"	7'	

(Rough Cement)



(Field Stone or Granite)



**GORDON
CELLADORS®**

THE GORDON CORPORATION 170 SPRING ST., SOUTHTON, CONNECTICUT 06489
TELEPHONE (860) 628-0000 FAX (860) 621-1251 Website: <http://www.gordoncelladour.com>